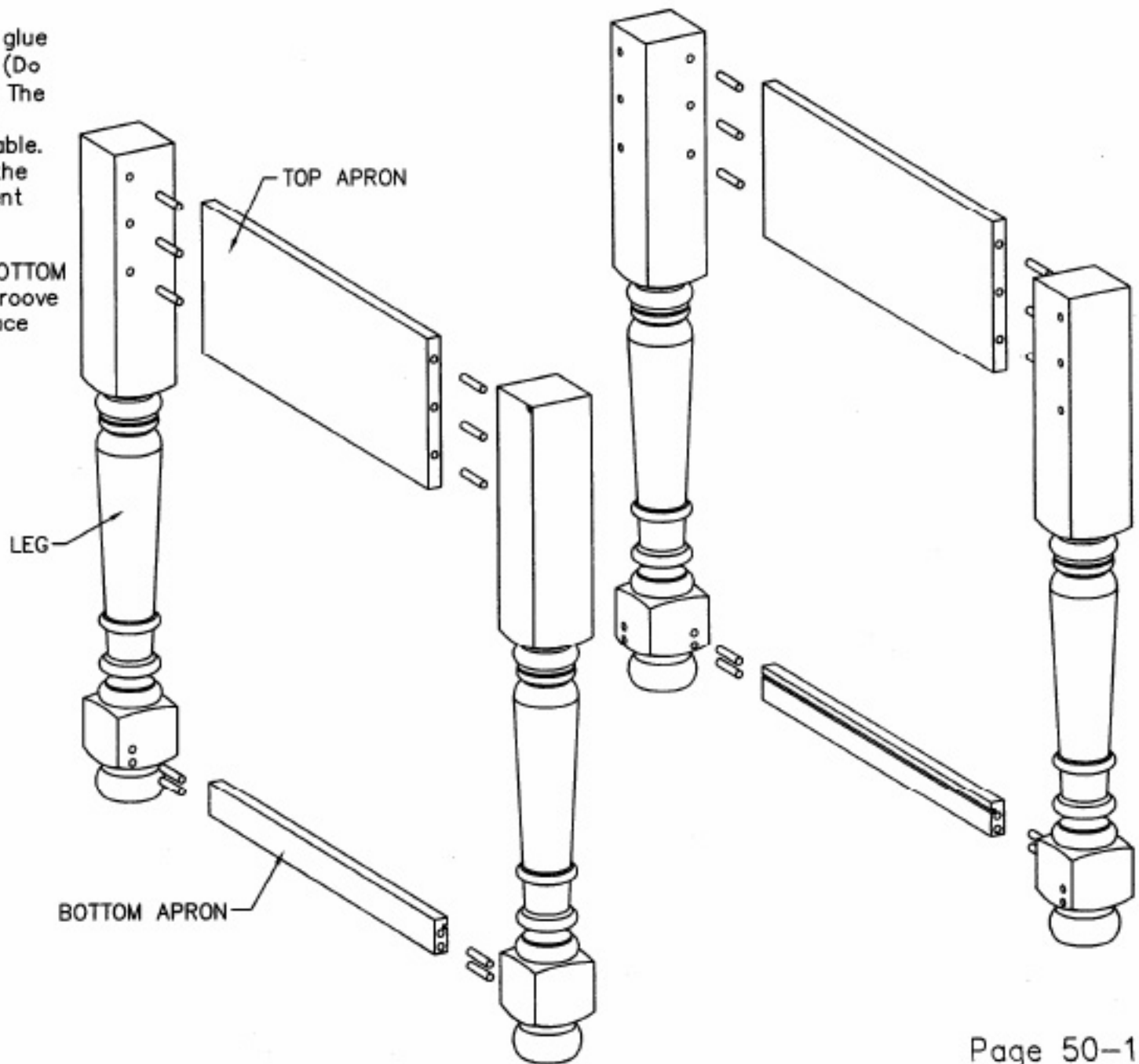


WORK TABLE

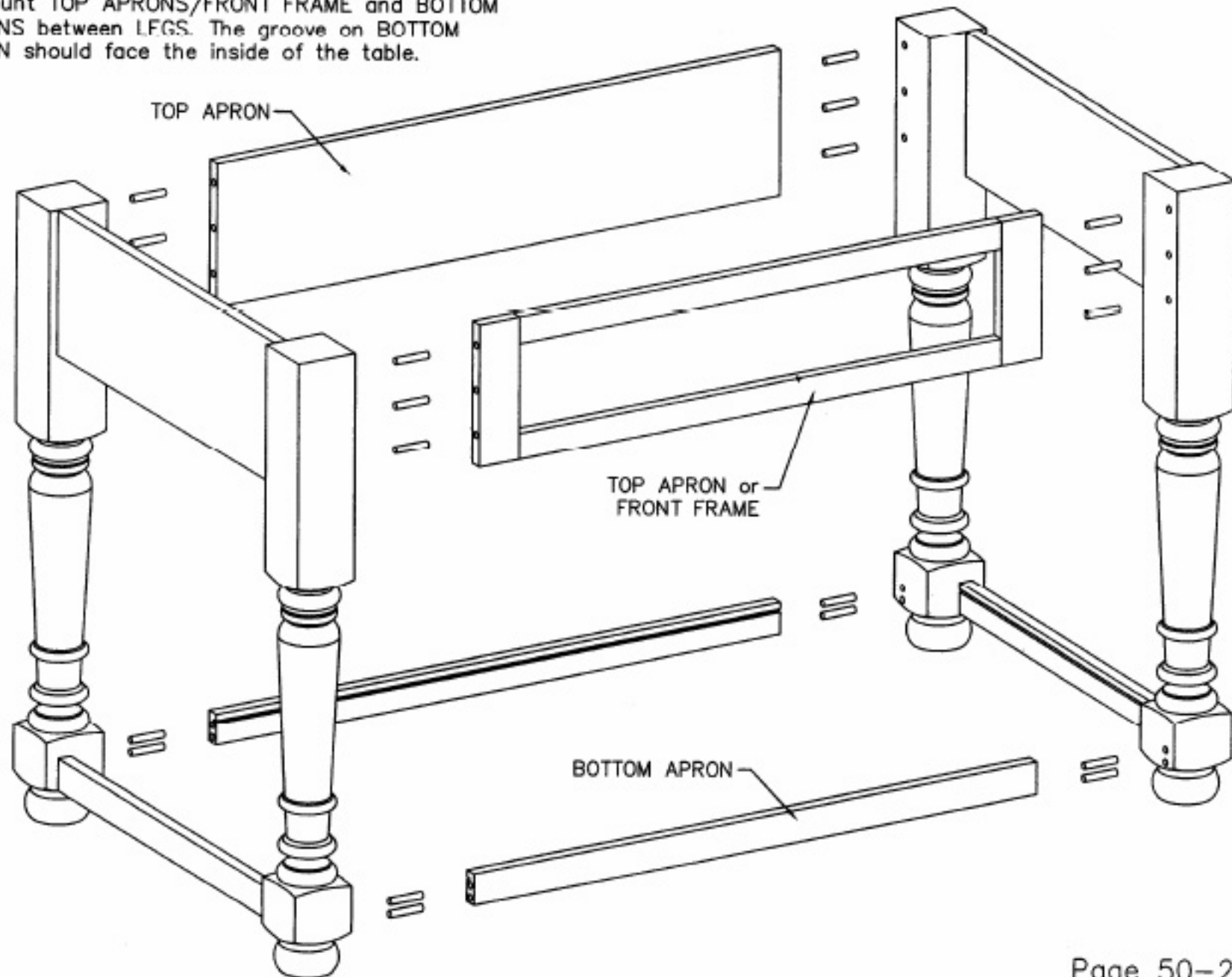
1. Insert a small amount of glue into each construction hole. (Do not put glue between holes) The amount of glue is critical to making a well constructed table. Too much glue will prevent the joints from closing...insufficient glue will affect the cabinet stability.

2. Mount TOP APRON and BOTTOM APRON between LEGS. The groove on BOTTOM APRON should face the inside of the table.



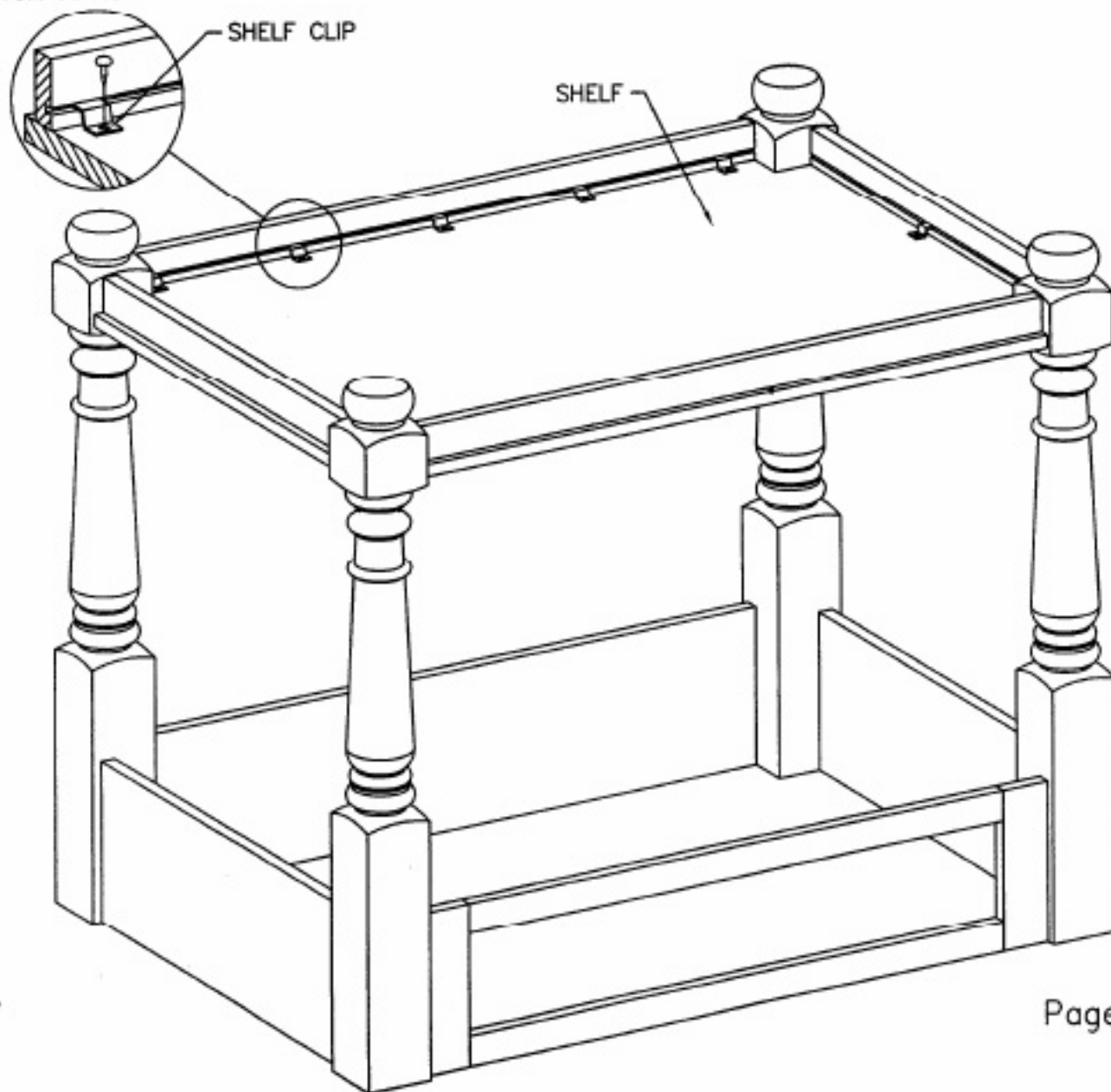
WORK TABLE

Mount TOP APRONS/FRONT FRAME and BOTTOM APRONS between LEGS. The groove on BOTTOM APRON should face the inside of the table.



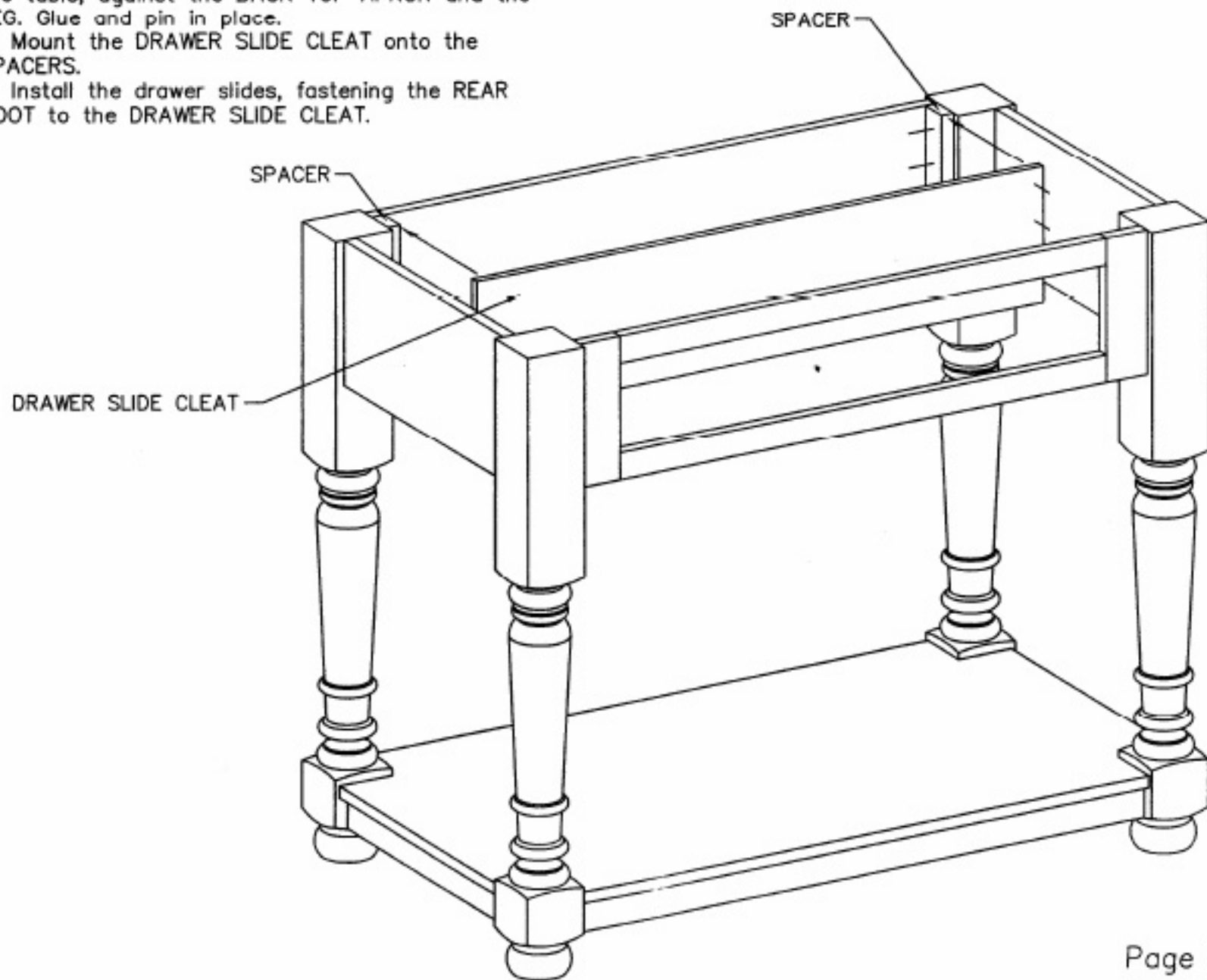
WORK TABLE

Turn the table upsidedown and use the SHELF CLIP to secure the SHELF in place using the groove in the BOTTOM APRON.



WORK TABLE – 24" DEEP WITH DRAWER BOXES

- i. Mount the two SPACERS in the back corners of the table, against the BACK TOP APRON and the LEG. Glue and pin in place.
- i. Mount the DRAWER SLIDE CLEAT onto the SPACERS.
- i. Install the drawer slides, fastening the REAR FOOT to the DRAWER SLIDE CLEAT.



WORK TABLE – 30" DEEP WITH DRAWER BOXES

3. Mount the two SPACERS in the side corners of the table, against the SIDE TOP APRONS and the LEG. Glue and pin in place.
4. Mount the DRAWER SLIDE CLEAT onto the SPACERS.
5. Install the drawer slides, fastening the REAR FOOT to the DRAWER SLIDE CLEAT.

